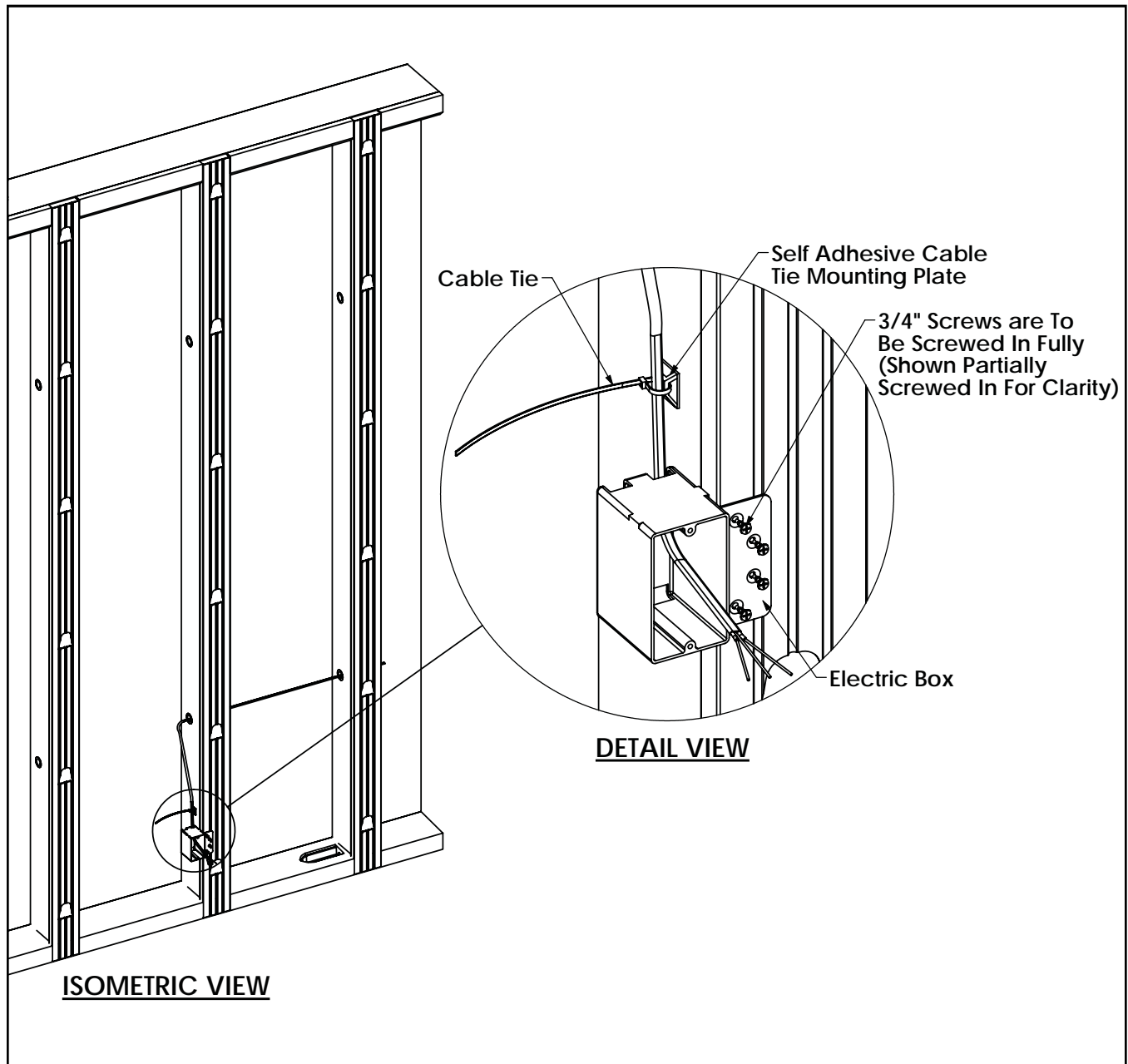


ELECTRICAL WIRING – Xi WALL SYSTEM

The simplest and most effective way to attach an electrical box to a Superior Wall stud facing is to use a box with a side bracket, as shown in the detail below. An electrical box with a side bracket can be screwed directly to the face of the stud. A metal or nonmetallic box may be used as required.

The wire may be secured to the side of the stud using a cable tie and cable tie mounting base.



Suggested Method for Installing Electric in an Xi Wall